



# Reach Independent LCD Swivel Standard Arm RCLS-STD



**WALL-MOUNTED**  
Technology Workstations

[www.altus-inc.com](http://www.altus-inc.com)

**REACH**

[sales@altus-inc.com](mailto:sales@altus-inc.com)



# Independent LCD Swivel Standard Arm

## RCLS-STD

Model Number	Track Length	Weight Capacity
RCLS-32-STD	32"	8-24 lbs.
RCLS-48-STD	48"	8-24 lbs.
*RCLS-RT1-STD	N/A	8-24 lbs.

RT1 = Retro fit track kit for existing GCX and Ergotron installations

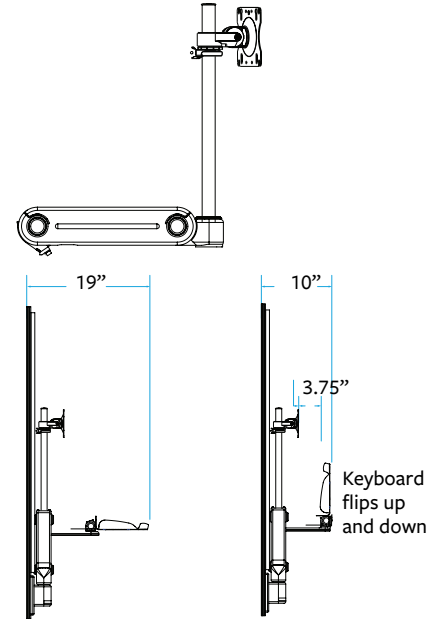


### STANDARD FEATURES

- 32" or 48" wall track
- 9" keyboard plate
- Integrated cable management system
- Ergonomic and cleanable wrist rest
- Keyboard/mousing platform
- Pivot limiter

### ARM SPECIFICATIONS

- LCD Swivels 180° Independently
- Mounting standard: VESA 75mm/100mm
- Weight capacity: 8-24 lbs.
- LCD height adjustment: 13"
- Arm reach: 19"-59"
- Stored depth: 10"
- Height adjustment range: 14"
- LCD tilt range: +60°/-40°

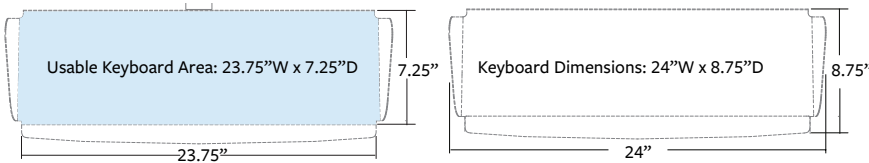


ANSI/BIFMA & CARB 93120 COMPLIANT

## Reach Workstation Detail

The Reach standard workstation is spacious enough for ambidextrous mousing and keyboarding.

Accommodates oversized keyboards.

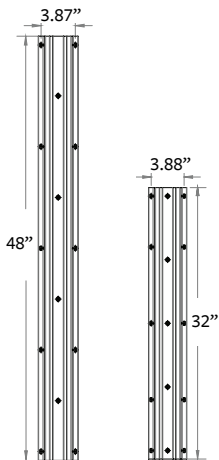


## Reach Colors

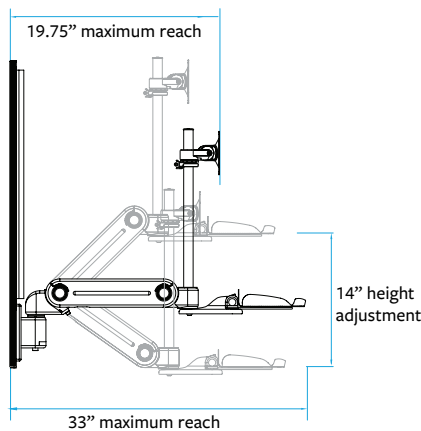
### Arm & Keyboard



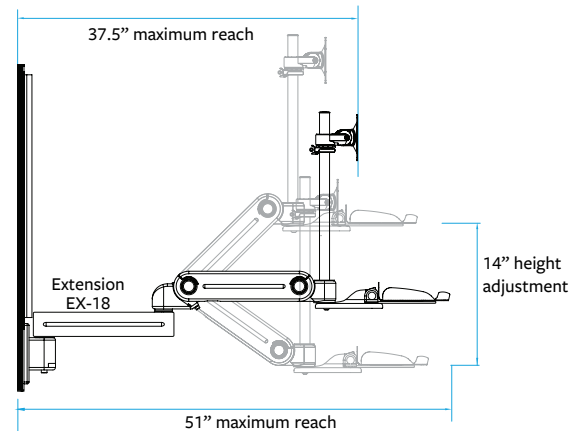
### TRACK LENGTHS



### WITHOUT EXTENSION



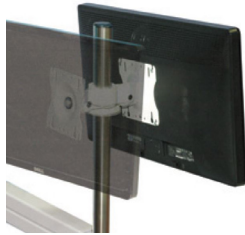
### WITH EXTENSION - EX-18



# REACH Reach Independent LCD Swivel Standard Arm - RCLS-STD



Flip-up Keyboard Platform



Height Adjustable Swivel LCD Arm



Large Shelf with spill-proof lip



Pivot Limiter

## MULTIPLE OPTIONS & ACCESSORIES

(See Spec Guide for full listing)



EX-18  
Extension arm allows for maximum reach of 51"



RC-CPU-21  
Track mount, ionic white finish



RC-CPU-22  
Track mount, ionic white finish



RC-BCH-11  
Track mounting, platinum finish



BCH-14-PL  
Adjustable bar code holder, VESA mounted, platinum finish